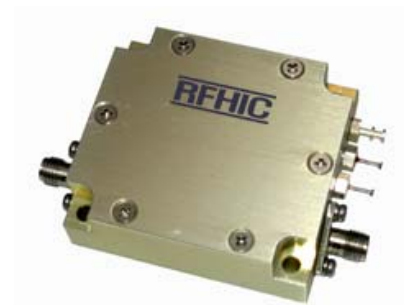


Product Features

- Low Noise Figure
- High Reliability
- High Linearity
- Single Supply Voltage
- Small size by using simple matching circuit board
- High Productivity
- Hybrid Amplifiers on Ceramic Board
- Competitive Price

Application

- CDMA, GSM Repeater
- Base Station
- RF Sub-Systems



Description

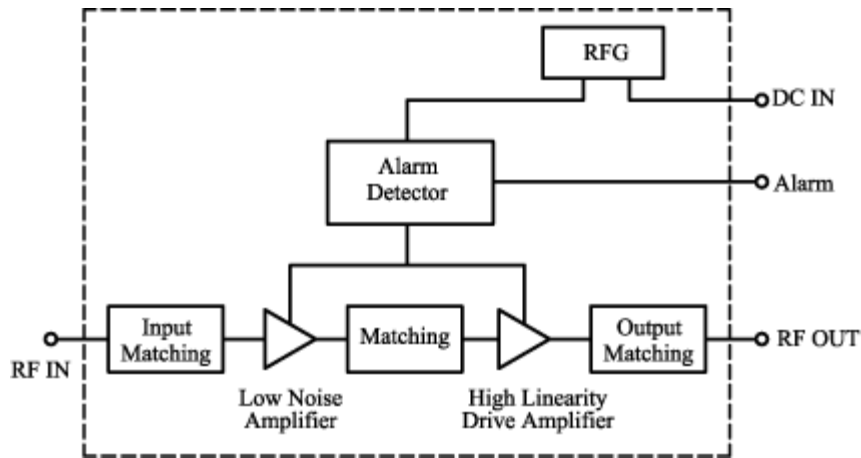
This LNA Module is a high gain, ultra low noise amplifier module. It has superior performance comes with a modest price tag.

Specifications

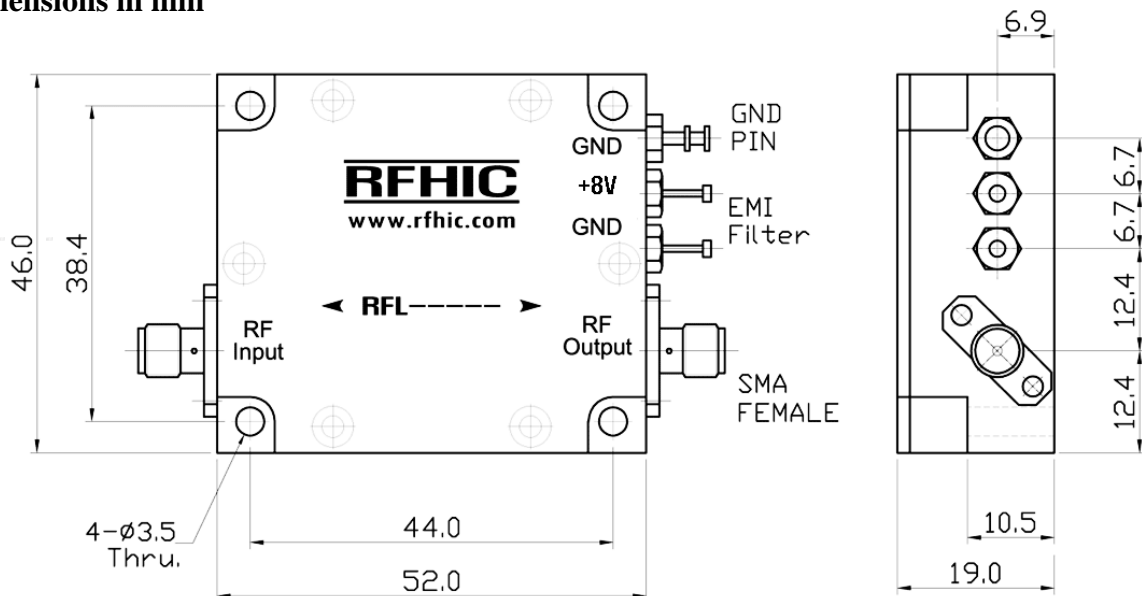
(Operating Temperature:-30°C~+70°C)

PARAMETER	RFL-0930R	RFL-0930T	RFL-1725R	RFL-1725T
Frequency Range	824~849MHz	869~894 MHz	1750MHz~1780MHz	1840MHz~1870MHz
Gain	30dB ± 0.5dB		25dB ± 0.5dB	
Gain Flatness	± 0.5dB			
VSWR	1.3 : 1			
Noise Figure(max)	1.0dB		1.1dB	
OIP3(max)	35dBm			
Current(max)	300mA			
Supply Voltage	8~12V			
Current Alarm	Normal : TTL High, Abnormal : TTL Low (TTL type)			
Operating Temperature	-30°C ~ +70°C			
Connector Type	SMA - Female			
Case Dimension	52 × 46 × 19 [mm]			

Functional Diagram



Dimensions in mm



RFHIC Corporation (RFHIC) reserves the right to make changes to any products herein or to discontinue any product at any time without notice. RFHIC do not assume any liability for the suitability of its products for any particular purpose, and disclaims any and all liability, including without limitation consequential or incidental damages. The product specifications herein expressed have been carefully checked and are assumed to be reliable. However, RFHIC disclaims liability for inaccuracies and strongly recommends buyers to verify that the information they are using is current before placing purchase orders. RFHIC products are not intended for use in life support equipment or application where malfunction of the product can be expected to result in personal injury or death. Buyer uses or sells such products for any such unintended or unauthorized application, buyer shall indemnify, protect and hold RFHIC and its directors, officers, stockholders, employees, representatives and distributors harmless against any and all claims arising out of such use. RFHIC's liability under or arising out of damages, claims of whatsoever kind and nature which RFHIC products could cause shall be limited in amount to the net purchase price of the products sold to buyer by RFHIC.